

The Domino A100

The reliability and quality codes you'd expect from a Domino printer in a basic coding package for everyday production requirements



Key Benefits:

Reliability Comes As Standard

Whatever your production line requirements, the Domino A-Series prints consistently and reliably requiring minimal operator intervention. Even after an uncontrolled shut down, the A100 re-starts successfully.

Unique Self-Cleaning Ink System

The large internal reservoir and nozzle seal enable the A100 to have truly automatic print head cleaning for unrivalled start up and shut down performance.

SureStart

An ergonomic user-interface, with one button controlling the complete start-up and shut down process, eliminates potential operator errors and delays typically associated with manual print head cleaning.

Consistent Print Quality

Whether running continuously or shutting down daily, the A100 always performs reliably.

Main Features:

Rugged Cabinet Design

The A100 rugged cabinet is constructed from 304 grade stainless steel. Rated IP53 the cabinet can be wiped clean and is both dust and splash proof

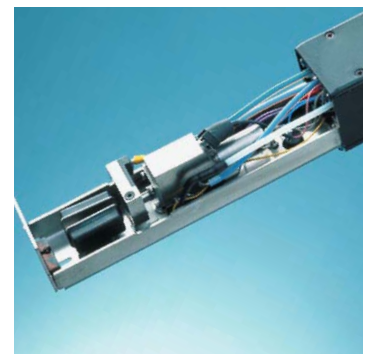
Flexible Applications

The A100 prints up to two lines with a variety of print formats, including logos, automatic serial numbering/batch coding and real time clocks

Domino Inks

The Domino ink range has been engineered for maximum reliability and uptime. The range includes Advanced, Specialist and Custom Inks, ensuring that whatever the application there is a well engineered Domino ink to support it

With all the benefits of Domino's reliability and print quality, the A100 is the ideal choice for basic coding requirements in everyday production environments.



A-Series print head



Unique Domino ink system



Technical Specification

Control Unit

Control Panel:	Membrane touch button
Cabinet:	Stainless Steel (304) designed to IP53 (BS EN 60529: 1992)
Cabinet dimensions:	245mm x 450mm x 650mm (9.6" x 17.7" x 25.6")
Weight:	33kg (73lbs)

Character Control

- Auto repeat
- Auto invert/reverse
- User defined clock format
- Sequential/batch numbering
- Inverse reverse and bold characters
- Character width and height adjustment
- Print delay
- Product counter
- Message repeat

Data Input Options

- Serial RS232
- Ethernet, RJ45 Connector
- Rate: 110-38.4k Baud, software configurable

Ink System

Viscosity control:	Automatic
Ink bleed control:	Automatic on start up
Ink and make-up refill:	825ml (.87qt) cartridge automatically metered
Peltier:	Optional

Print head

Dimensions:	240mm x 41mm x 47mm (9.45" x 1.61" x 1.85")
Conduit length:	3m (11'8)
Positive air:	Optional internal supply

Environment

Temperature range:	5 – 45°C (40 – 112°F) operating
Humidity:	10 – 90% (non-condensing)
Electrical requirements:	Single phase, fully auto-ranging 90 – 132V/180 – 264V, 50/60Hz 200VA

Standard Connections

Product detector:	12V 100mA for photocell or proximity detector. IP68 6 way socket
Shaft encoder input:	Open collector or TTL encoder 12V via IP68 6 way socket

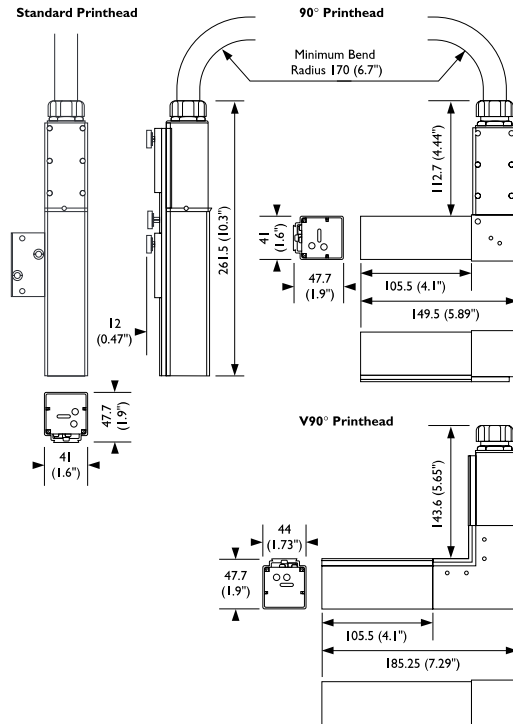
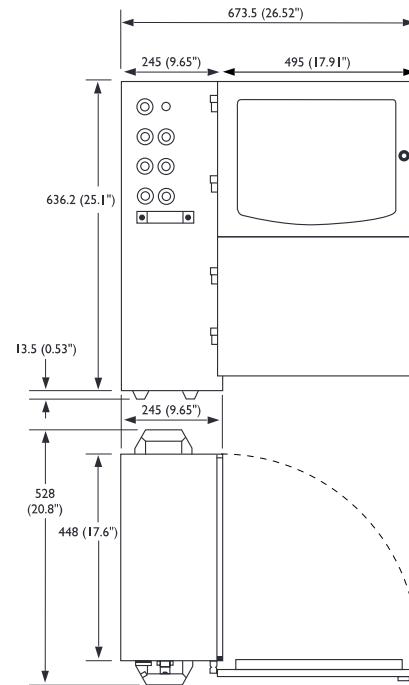
Options

Alarm beacon connector:	IP68 7 way socket
Auxiliary alarms connector:	IP68 9 way plug
User port connector:	IP68 25 way socket

Accessories

Full range of photocells, stands and bracketry

Dimensions Show Door Open



ΚΩΔΙΚΟΠΟΙΗΣΗ · ΙΧΝΗΛΑΣΙΜΟΤΗΤΑ · ΔΙΑΧΕΙΡΙΣΗ ΠΑΡΑΓΩΓΗΣ

Αγ. Αθανασίου 17 Τ.Θ. 76
19002 Παιαία
marketing@theodorou.gr

Τηλ: 210 6690900
Fax: 210 6640200
www.theodorou.gr



www.domino-printing.com



